



MODEL 10S T/S SPECIFICATION

1.0 General Specifications

There will be furnished one (1) only Grind Hog™ Model 10S T/S Comminutor as manufactured by G.E.T. Industries, Inc. Rotation shall be in a clockwise direction.

1.1 Design Criteria

The comminutor shall be designed to handle the flows indicated below, within the head loss noted.

- (a) hydraulic capacity 1.2 MGD (4500m³/day)
- (b) satisfactory operation shall occur under conditions of zero flow
- (c) head loss at peak flow shall not exceed 10 inches (254 mm)
- (d) design shall be such that the flow enters the size reduction and screening device horizontally and exits vertically downward to facilitate the flushing of solids

1.2 Cover Plate

Shall be:

- a) of heavy-duty construction and of high quality cast iron
- b) fitted with 4 position lock down arrangement, and 2 alignment holes for repositioning following service
- c) located on, and positioned by wall mounted supports allowing for ease of removal for inspection and maintenance.

1.3 Rotating Drum Screen

- (a) heavy-duty Cast Ductile Iron ASTM 536, grade 60-45-18

1.4 Cutting Elements

- (a) replaceable shear bars constructed of high-quality A2 tool-steel shall be attached to the rotating drum. Each shear bar shall be machined from solid bar stock, surface ground to establish exact tolerances
- (b) the stationary cutting bar, shall be of high-quality 01 tool steel hardened to a minimum of 56 Rockwell C, and shall be reversible, allowing for four (4) sets of cutting edges prior to sharpening or replacement
- (c) all submerged fasteners shall be of stainless steel

1.5 Motor

Immersible 1.5 Hp. Motor, 1750 RPM, _____ volt, _____ phase, _____ cycle, suited to periodic submergence. Power cable length 25 ft. (7.6 m).

1.6 Drive Arrangement

- a) the motor shall be close-coupled to a speed reducer drive, a heavy duty planetary gear of the totally enclosed non-vented type suitable for total submergence during emergencies

G.E.T. INDUSTRIES INC.

Toll Free: 877-213-7418 Email: get@grindhog.com Web: www.grindhog.com

SPECIFICATION cont'd...



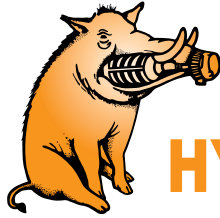
- b) double seals on the output shaft shall ensure flood-proof operation through a reduction ratio of 35:1
- c) the cycloidal reducer shall be capable of withstanding shock loads to 500% of its mechanical rating of 4.27 Hp. and be warranted for two (2) years
- d) the drive shall have a minimum full load efficiency of 90% and be pre-lubricated with grease, requiring routine maintenance every 500 to 1,000 hours

1.7 "Toilet Seat" Channel Mounting System

Shall consist of a box style structure fabricated of 304 stainless steel dimensioned to suit the existing channel and supported from above for ease of installation.

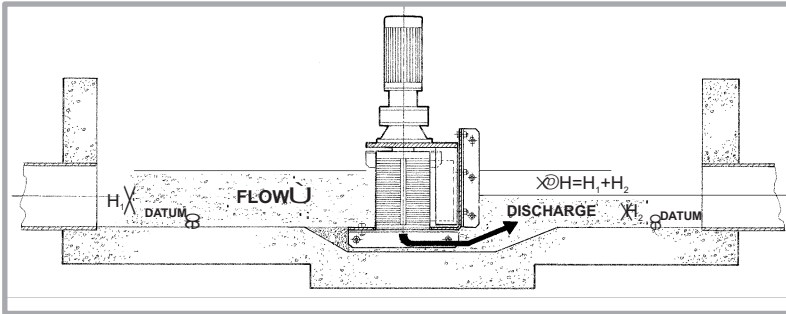
G.E.T. INDUSTRIES INC.

Toll Free: 877-213-7418 Email: get@grindhog.com Web: www.grindhog.com



Grind Hog™

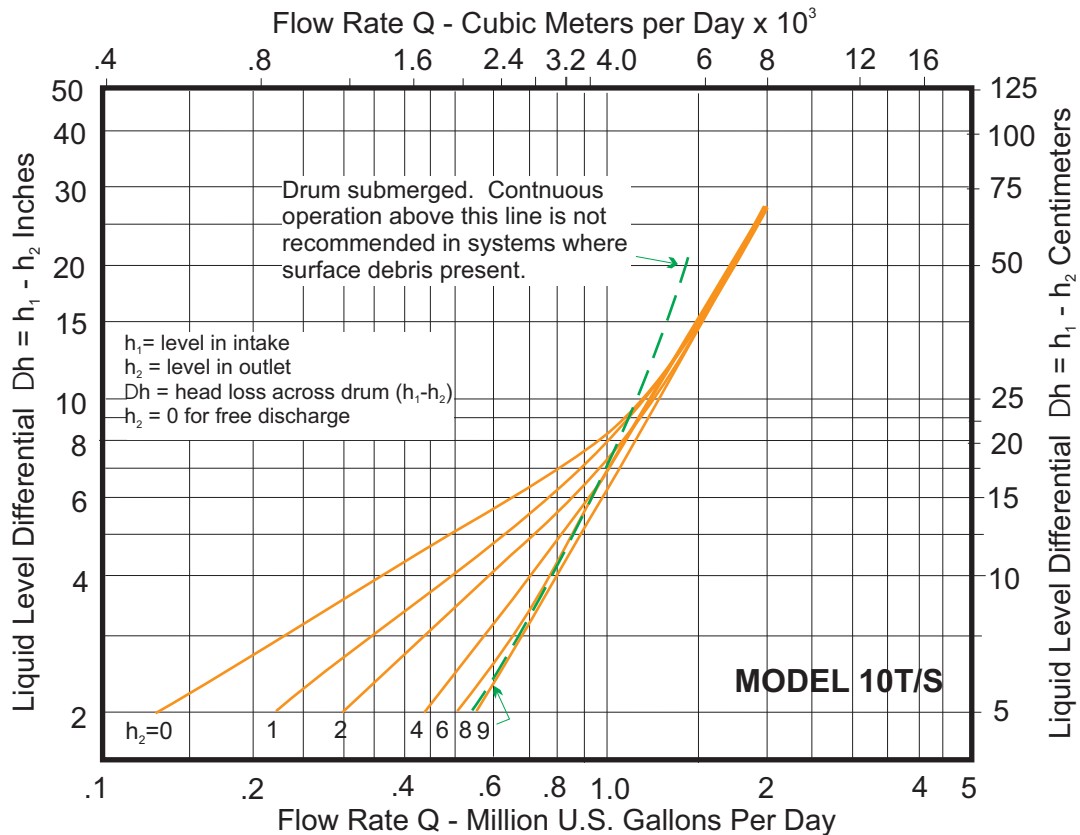
HYDRAULIC DATA SHEET IN-CHANNEL MODEL 10S T/S



GENERAL DATA

Capacity	0-1.2 MGD (US)	0-4500 m ³ /day
Drum Diam.	9.4 in	23.9 cm
Inlet Area	97 in ²	625.8 cm ²
Outlet Area	45 in ²	290.3 cm ²
Slot Width	0.470 in	12 mm

HYDRAULIC PERFORMANCE CURVE





IN-CHANNEL MODEL 10S T/S cont'd...

DESIGN FEATURES

SUMITOMO SM-CYCLO SPEED REDUCER 6000 SERIES

- HIGHEST OVERLOAD CAPACITY FOR FREQUENT STOP-START AND SEVERE REVERSING
 - SMOOTH, SILENT OPERATION
 - EXCEPTIONAL LIFE
- Torque transmitting parts roll, don't grind.
There is no sliding friction, so output torque/input horsepower efficiency approaches 95%

STATIONARY CUTTING BAR

- REVERSE-SPARE STANDARD EQUIPMENT
- A2 HIGH QUALITY TOOL STEEL
- HIGH RESISTANCE TO WEAR

CAST DUCTILE IRON SEWAGE SCREEN

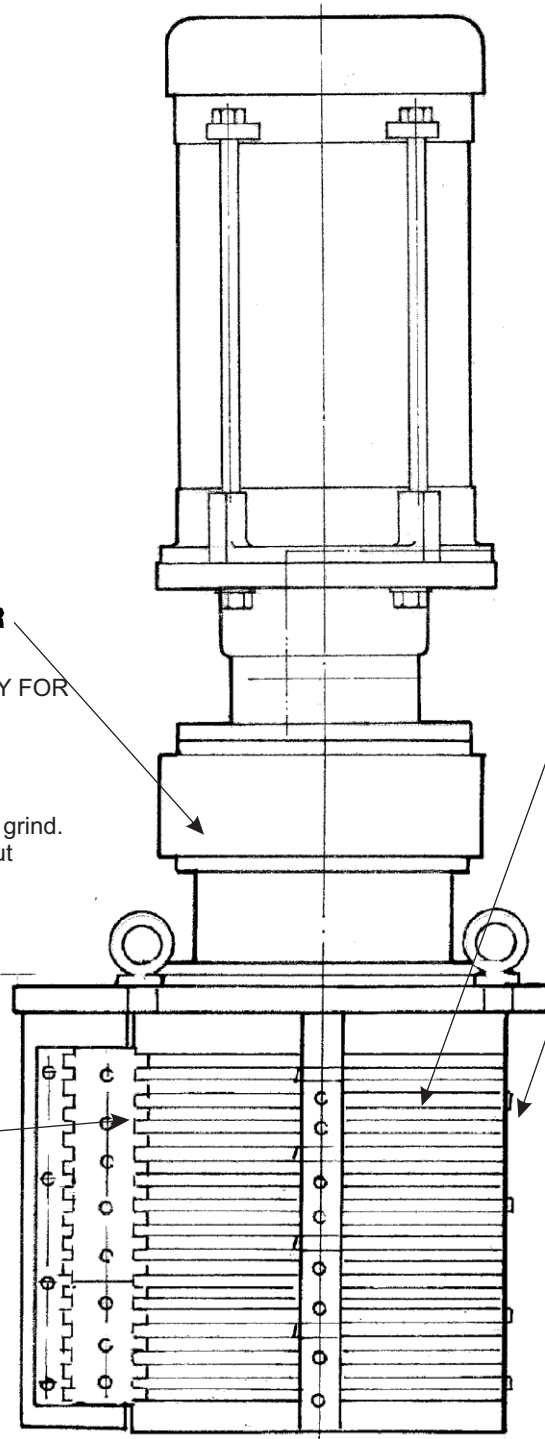
- LONG LIFE UNDER ABRASIVE CONDITIONS

ROTATING SHEAR BAR ASSEMBLY

- MACHINED FROM SOLID BARSTOCK
- PRECISE TOLERANCES MAINTAINED

SUBMERGED FASTENERS OF STAINLESS STEEL

HEAVY DUTY CAST IRON CONSTRUCTION



G.E.T. Industries Inc.

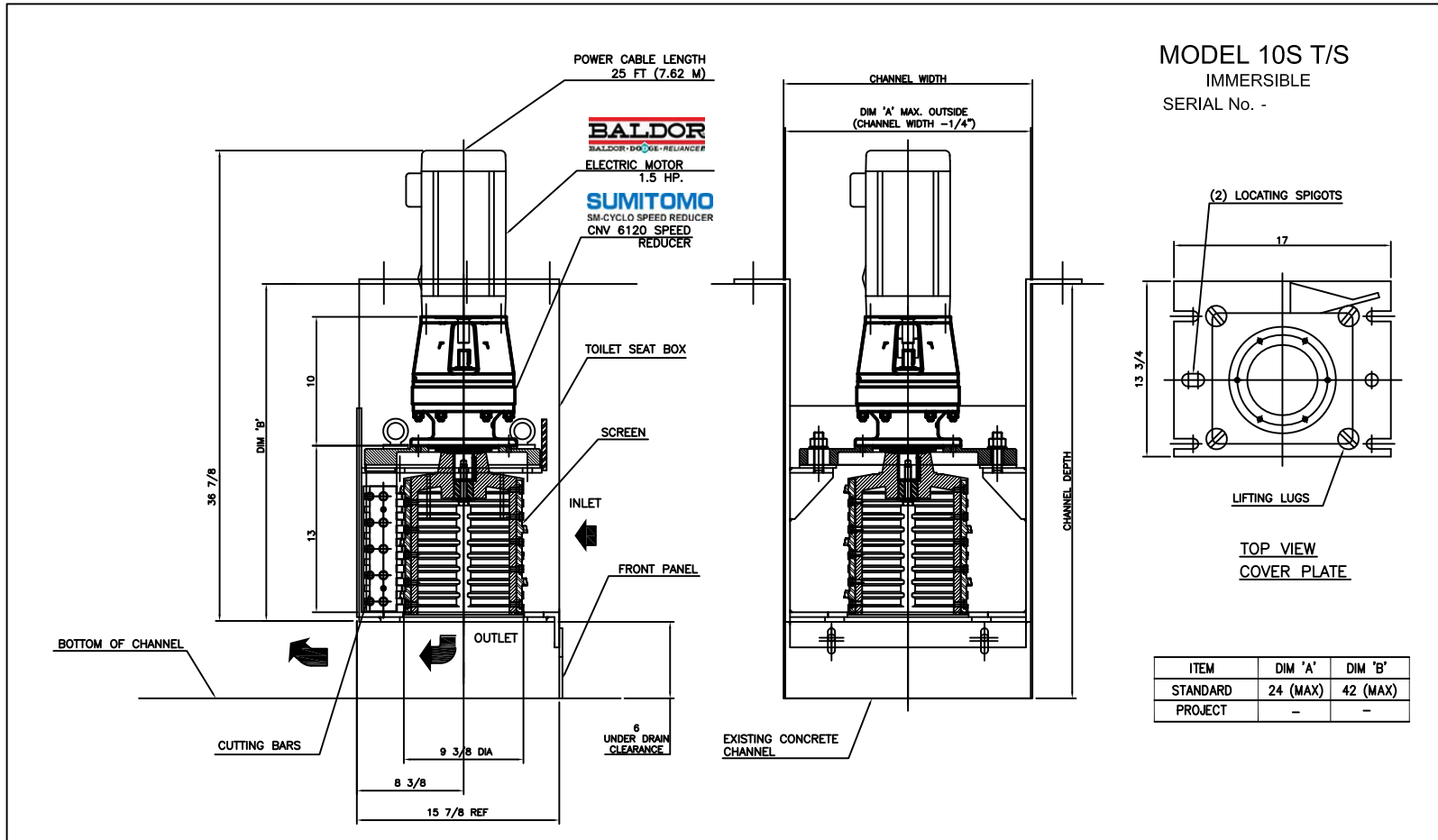
Toll Free: (877) 213-7418

E-mail: get@grindhog.com ♦ Web: www.grindhog.com



Grind Hog™

MECHANICAL DETAIL



MODEL 10S T/S
IMMERSIBLE
SERIAL No. -

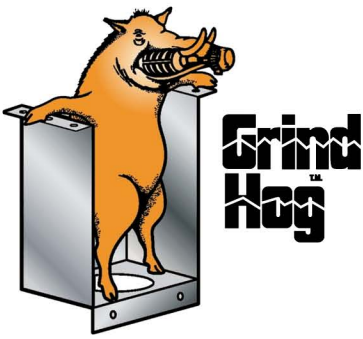
ITEM	DIM 'A'	DIM 'B'
STANDARD	24 (MAX)	42 (MAX)
PROJECT	-	-

MATERIALS OF CONSTRUCTION & GENERAL ENGINEERING DATA							
HOUSING:	GREY IRON	CAPACITY	1.2 MGD (US) / 4500 m3/day	INLET AREA	97 SQ IN	626 cm sq	
DRUM (SCREEN):	DUCTILE IRON (ASTM 536 GRADE 60-45-18)	DRUM SPEED	50 RPM	OUTLET AREA	45 SQ IN	290 cm sq	
SHEAR BARS:	AISI-A2 HIGH ALLOY TOOL STEEL	ROTATION	CLOCKWISE	DRUM DIAMETER	9.4 IN	23.9 cm	
CUTTING BARS:	AISI-01 TOOL STEEL REVERSIBLE	SLOT WIDTH	.470 IN / 12 mm	WEIGHT	400 LB	181 kg	
HARDWARE & FASTENERS:	304 STAINLESS STEEL	No. OF SLOTS	36				
MOTOR MANUFACTURER:	BALDOR	POWER:	- / 3 / 60	RPM:	1750	REDUCER:	SM - CYCLO
STYLE:	IMMERSIBLE	HP:	1.5	KW:	1.12	FRAME:	56C
				FLANGE:	'C'	RATIO:	35:1
						RATING:	4.27 HP
						MODEL:	V6120

G.E.T. INDUSTRIES INC.

get@grindhog.com
www.grindhog.com
1 (877) 213-7418

TOLERANCES DECIMAL FRACTIONAL ANGULAR	INFO	SCALE NTS
	INFO	DRAWN BY G.P.
	BOX DISPLAYED	APPROVED BY W.D.M.
	DATE DEC. 2013	FILE NO. DWGS. No. 6 0194.1



HORIZONTAL FLOW

RETROFIT ALTERNATIVE

“TOILET SEAT BOX STYLE” DROP IN REPLACEMENT

PROJECT: _____

ANTICIPATED PEAK FLOW: _____

EXISTING CHANNEL:

Width (w): _____

Depth (d): _____

Underdrain Clearance (c): _____

MOTOR REQUIREMENTS:

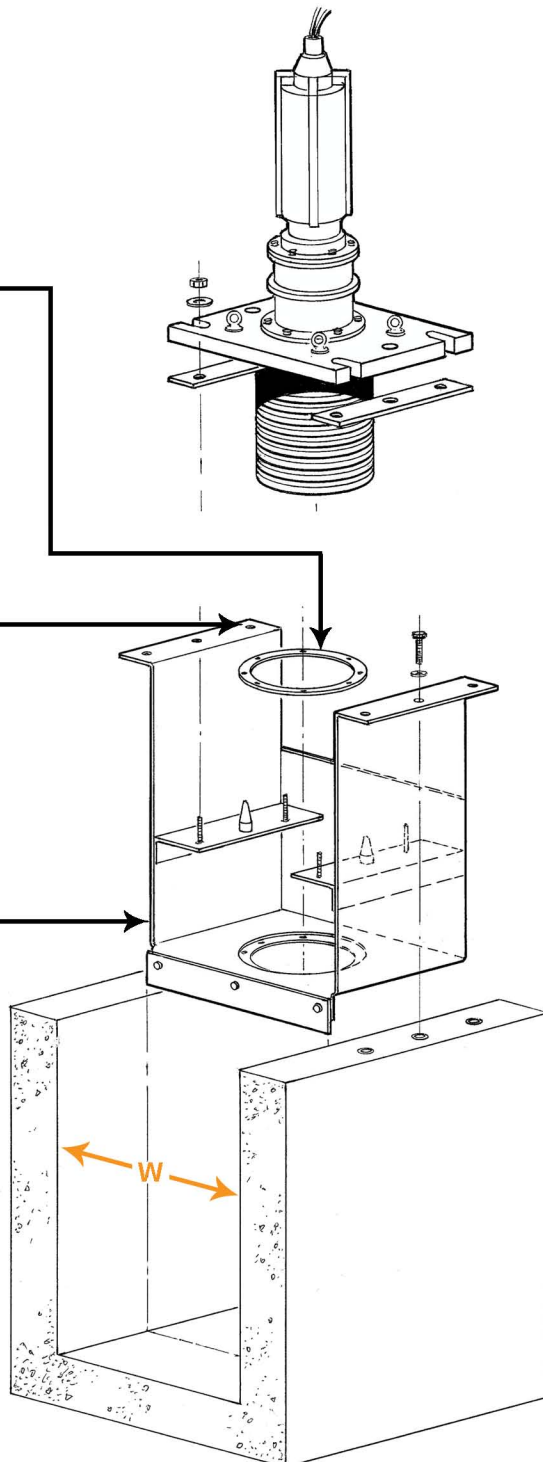
Power: _____ / _____ / _____

Enclosure: _____

Replaceable wear ring for extended life

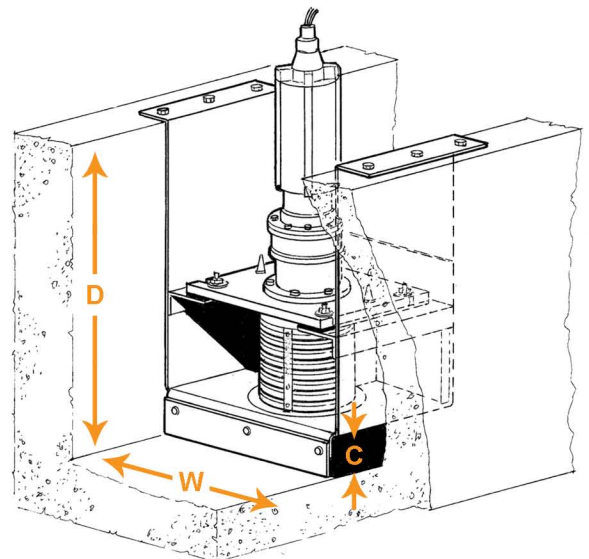
Supported from above on the channel walls, eliminating the requirement for any submerged anchorage

Fabricated from 304 Stainless Steel to suit existing channel dimensions



REPLACING

- Barminutor
- Clow Aer-O-Flo
- Franklin Miller-Diminutor
- Infilco Degremont
- Muffin Monster
- Worthington
-Among others

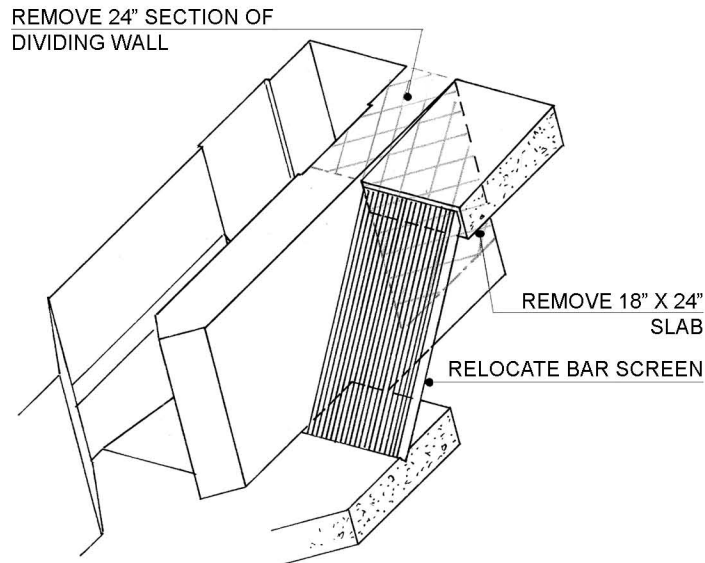


HORIZONTAL FLOW

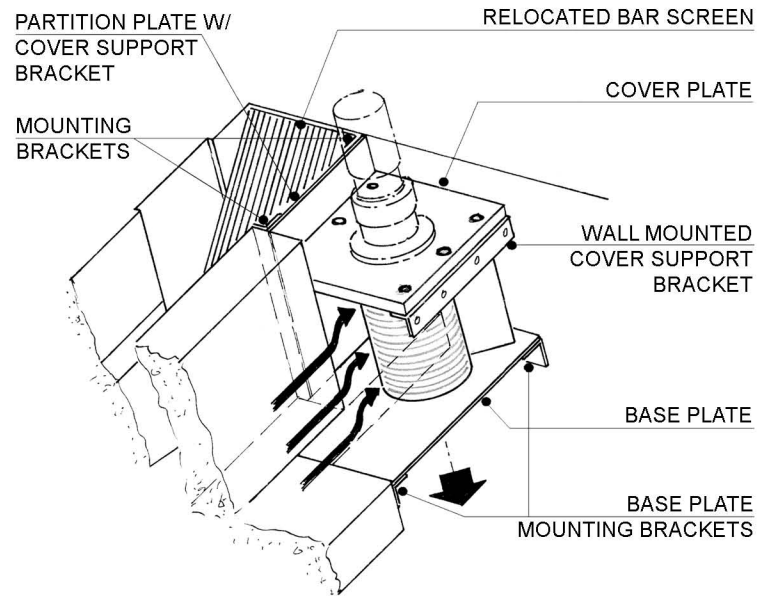


Customized to suit each application

ORIGINAL CHANNEL



PROPOSED CHANGES



Original
Worthington 15-5



Custom Fabricated
Basin



16 ASX T/S



Custom Fabricated Basin
& 16ASX T/S
Ready for Shipment

G.E.T. INDUSTRIES INC.

Toll free: (877) 213-7418

Email: get@grindhog.com

Web: www.grindhog.com